



www.sdgspa.it

Customer: Standard

Code: S5065-3-00

EAN code: /

Product: Sealing lid for S50-S65

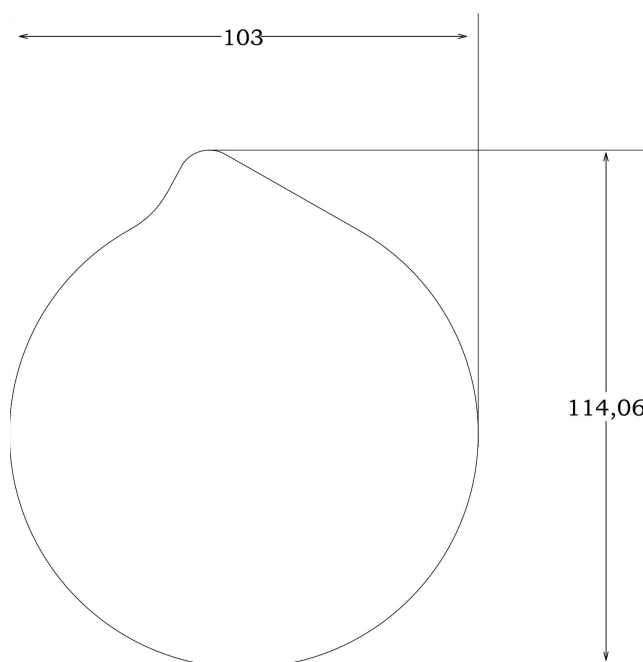
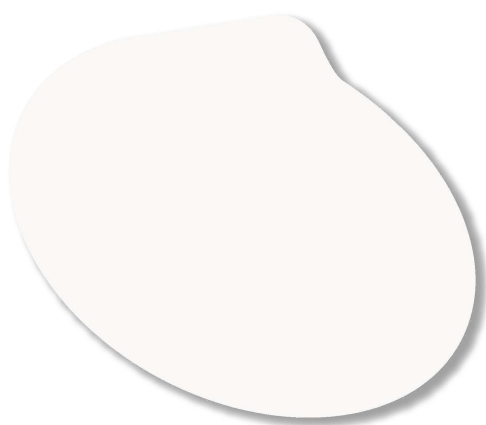
Board composition: Coated paper with Polyethylene coating; 55 g/m²

Printing type: /

Product weight: 0.481 g

IMAGE AND TECHNICAL DRAW /

The sizes are in mm



PACKAGING PRODUCT /

Box Type: Waved carton box Havana brown

External Box size (W x L x H): 300x400x210h mm

Gross weight: 12 kg

Net weight : 11,55 kg

Unit / Pack: 1000

Packs / Box: 24

Unit / Box: 24.000

Packs Type: Polyethylene packs

Label per pack: No

Label per box: Yes

Box / Pallet: /

Box per layer: / **Layers per pallet:** /

Size pallet: 80 x 120 losing

Pallet hight:

CONFORMITY AND WAY OF EMPLOYMENT: /

This product is food contact suitable according to the CE n° 1935/2004 regulation and following updates and to the D.M. of the 21st march 1973.

To be stored in a dry place, faraway from sun rays and heat sources (0°C +35°C).

Is not suitable for oven and microwave cook. Is not suitable to contain baby food.

This product is disposable, it is recommended to use within 3 years from the manufacturing date.

It is recommended to verify technological suitability in the final real application according to the timing and temperatures of use.

THIS PRODUCT IS NOT A TOY.